

# MC-10

Immersive Surround Sound AV Processor

**lexicon**  
by HARMAN



## Features

- Logic7 Immersion – Natural Sound Upmixer
- Dolby Atmos & DTS:X with 11.1 Decoding and 7.2.4 Outputs
- Dolby Vision Compatible
- 4K (UHD) HDMI2.0a with HDCP2.2 in Main and Zone 2
- 7 HDMI Inputs, 3 HDMI Outputs, ARC Compatible
- Dirac Live for Lexicon Room Correction
- Spotify Connect Enabled
- Cirrus CS42528 Audiophile DAC
- 12 Balanced XLR Outputs and 12 RCA Single-ended Outputs
- Independent Volume Control of Sub Outputs
- Rear Panel Ethernet, RS232, Main and Z2 IR and Triggers
- Front Panel Headphone Out and Aux In
- Free MusicLife iOS UPnP and Control App
- EAN: 6925281930508
- UPC: 050667372248

## Specifications

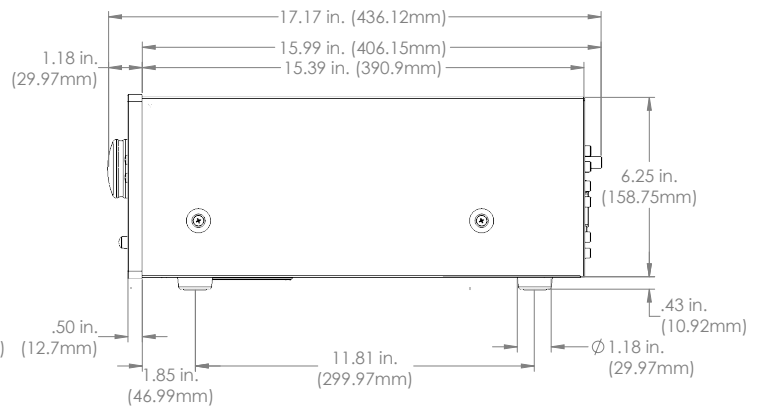
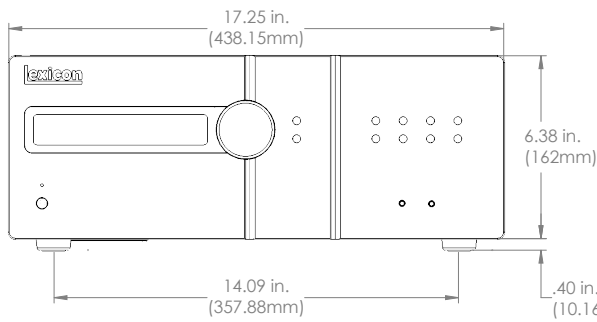
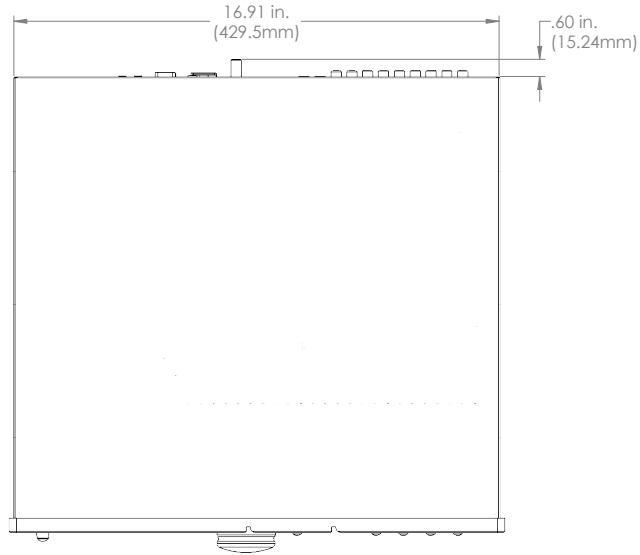
Stereo Line Inputs	
Maximum Input	4.5V RMS
Nominal Sensitivity	1V, 2V, 4V (user adjustable)
Input Impedance	47k $\Omega$
Signal to Noise Ratio (A-wtd ref 100W) Normal/Stereo Direct	100dB/120dB
Frequency Response	20Hz – 20kHz +/- 0.1dB
Preamplifier Outputs	
Nominal Input Level	1V RMS
Output Impedance	560 $\Omega$
THD+N (20Hz-20kHz)	-100dB
Headphone Output	
Maximum Output Level Into 32 $\Omega$	2V RMS
Output Impedance	<5 $\Omega$
General	
Mains Voltage	110 – 120V or 220 – 240V, 50 – 60kHz
Power Consumption (maximum)	50W (Thermal dissipation approximately 170 BTU/hr)
Power Consumption (idle, typical)	50W (Thermal dissipation approximately 170 BTU/hr)
Power Consumption (standby)	<0.5W
Dimensions (W x D x H) Including Speaker Terminals and Feet	433 x 425 x 171mm (17.05 x 16.73 x 6.73")
Box Dimensions (W x D x H)	580 x 540 x 300mm (22.6 x 21.1 x 11.7")
Weight (net)	10.25kg (22.6 lbs)
Weight (packed)	14.25kg (31.41 lbs)
Supplied Accessories	Mains lead, remote control, 2 x AAA batteries, manual, DAB/FM aerial, calibration microphone, USB sound card

**Note:** All specification values are typical unless otherwise stated.

# MC-10

## Immersive Surround Sound AV Processor

**lexicon**  
by HARMAN



HARMAN International Industries, Incorporated  
8500 Balboa Boulevard, Northridge, CA 91329 USA  
www.lexicon.com

© 2018 HARMAN International Industries, Incorporated. All rights reserved. Lexicon is a registered trademark of HARMAN International Industries, Incorporated registered in the United States and/or other countries. Features, specifications, and appearance are subject to change without notice.